



User Manual

LDP-QCW 150

Before powering on your unit, read this manual thoroughly and make sure you understood everything.

Please pay attention to all safety warnings.





If you have any doubt or suggestion, please do not hesitate to contact us!

PicoLAS GmbH

Table of Contents

<i>Please pay attention to all safety warnings!</i>	2
<i>How to use the Manual</i>	3
<i>Overview</i>	4
<i>Technical Specifications</i>	4
<i>Functional Description</i>	5
<i>Current Regulator</i>	6
<i>Description of available Connectors Analog Interface Specifications</i>	7
<i>Analog Interface Specifications</i>	9
<i>How to get started</i>	12
<i>Cooling</i>	13
<i>Test Load</i>	13
<i>Digital Interface Specifications</i>	14
<i>Power Supply</i>	14
<i>PC Interface</i>	15
<i>PLB-21</i>	15
<i>Pulse current</i>	16
<i>Capacitor Voltage</i>	17
<i>Trigger Modes</i>	18
<i>Output Enable</i>	21
<i>Output disable</i>	21
<i>Exchange Dummy Load for Laser Diode</i>	22
<i>Timing Diagram</i>	22
<i>Dos and Don'ts</i>	23
<i>Overtemperature Shutdown</i>	24
<i>Mechanical Dimensions</i>	25
<i>Controlling the LDP-QCW via RS-232</i>	26
<i>Description of the LSTAT Register</i>	36
<i>Description of the ERROR Registers</i>	38
<i>Impressum</i>	39

Please pay attention to all safety warnings!

	Risk of electrical hazard
	Please pay special attention
	Do not
	Valuable information, remark

How to use the Manual



Remark: The LDP-QCW 150 described in this manual is a primarily baseplate cooled laser diode driver. Improper cooling may cause an internal overtemperature shutdown.

Heat sink cooling with fans: Depending on the final application and operation regime a sufficient airflow created by the fans through the heat sink must be possible.

Please refer to section “Cooling” for more details about the thermal power losses during operation.

You may use a passive or an active air/water cooler.

Before powering on your unit, read this manual thoroughly and make sure you understood everything.



Please pay attention to all safety warnings.

If you have any doubt or suggestion, please do not hesitate to contact us!

Overview

The LDP-QCW 150 (LDP-QCW for short) is a high power linear regulated laser diode driver. It supports the following features:

- Supports up to 30 V compliance voltage
- Linear output driver for rectangular current pulses with ripple < 1 %
- Multiple trigger modes for external and internal triggering
- Interlock input for safety

Technical Specifications

Output current	1 .. 150 A
Compliance voltage	0 .. 30 V *1
Min. pulse duration	< 10 μ s
Max. pulse duration	1 ms
Max. repetition rate	1 kHz
Max. duty cycle	10 %
Max. rise time	TBD
Current overshoot	< 5 % (depending on regulator settings)
Pulse trigger input	Analog Interface: TTL
Connectivity	Analog interface, RS-232
Supply voltage	24 .. 48 V DC
Max. power dissipation	TBD
Dimensions in mm	120 x 76 x 40
Weight	0.3 Kg
Operating temperature	0 to +55 °C

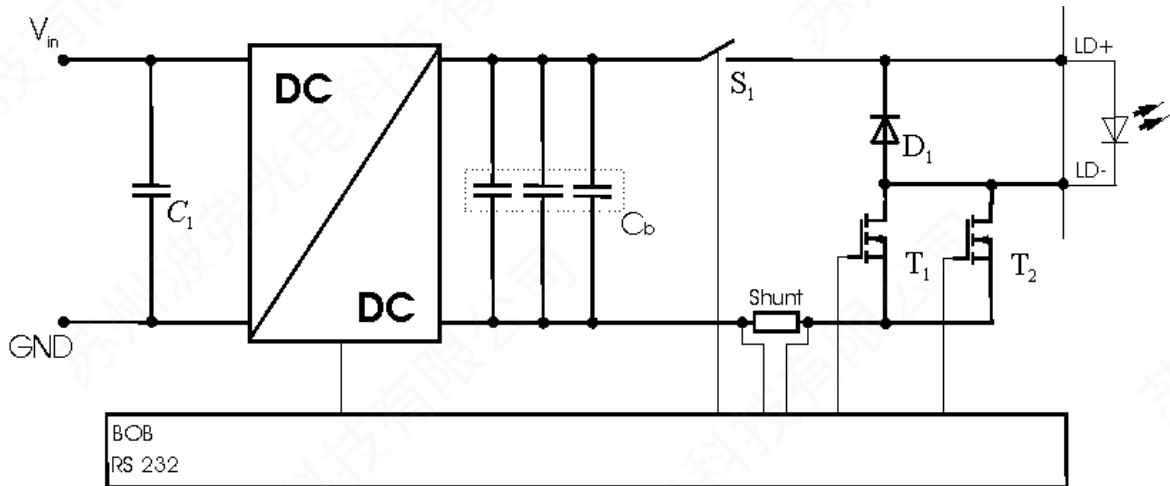
*1: The compliance voltage strongly correlates to the pulse current and pulse duration.

Functional Description

The driver uses a DC-DC converter to load a capacitor bank to a defined voltage. It can provide a maximum voltage of 34 V to load the storage capacitor bank C_b .

A P-I regulator using T_1 and T_2 are controlling the current flow through the laser diode. These regulators are triggered by an internal timing generator that is triggered by either an external trigger signal or via software through the RS-232 interface.

Several security features protect the laser diode and the driver from damage. D_1 protects the laser diode from reverse currents. The switch S_1 is automatically opened when an internal failure or an interlock condition is detected.

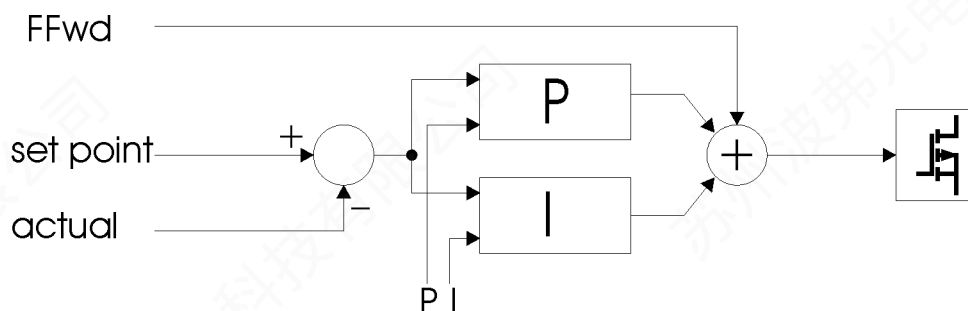


Operation Principle of LDP-QCW Driver

Element	Function
C_1	Input buffer capacitor
C_b	Capacitor bank
S_1	Security switch
D_1	Laser diode protection diode
T_1, T_2	Current regulation MosFET
Shunt	LD current monitor

Current Regulator

The LDP-QCW implements a proportional integral (PI) regulator to control the current flow through the connected load. The following diagram shows a simplified layout:



Depending on the chosen operating mode the user has the possibility to modify all relevant parameters to a specific need. This is done through the digital interface (RS-232). See below for more information.

PicoLAS implemented an active nonlinearity compensation of the output stage. This speeds up the device, prevents excessive current overshoots and yields a better accuracy with high impedance loads.

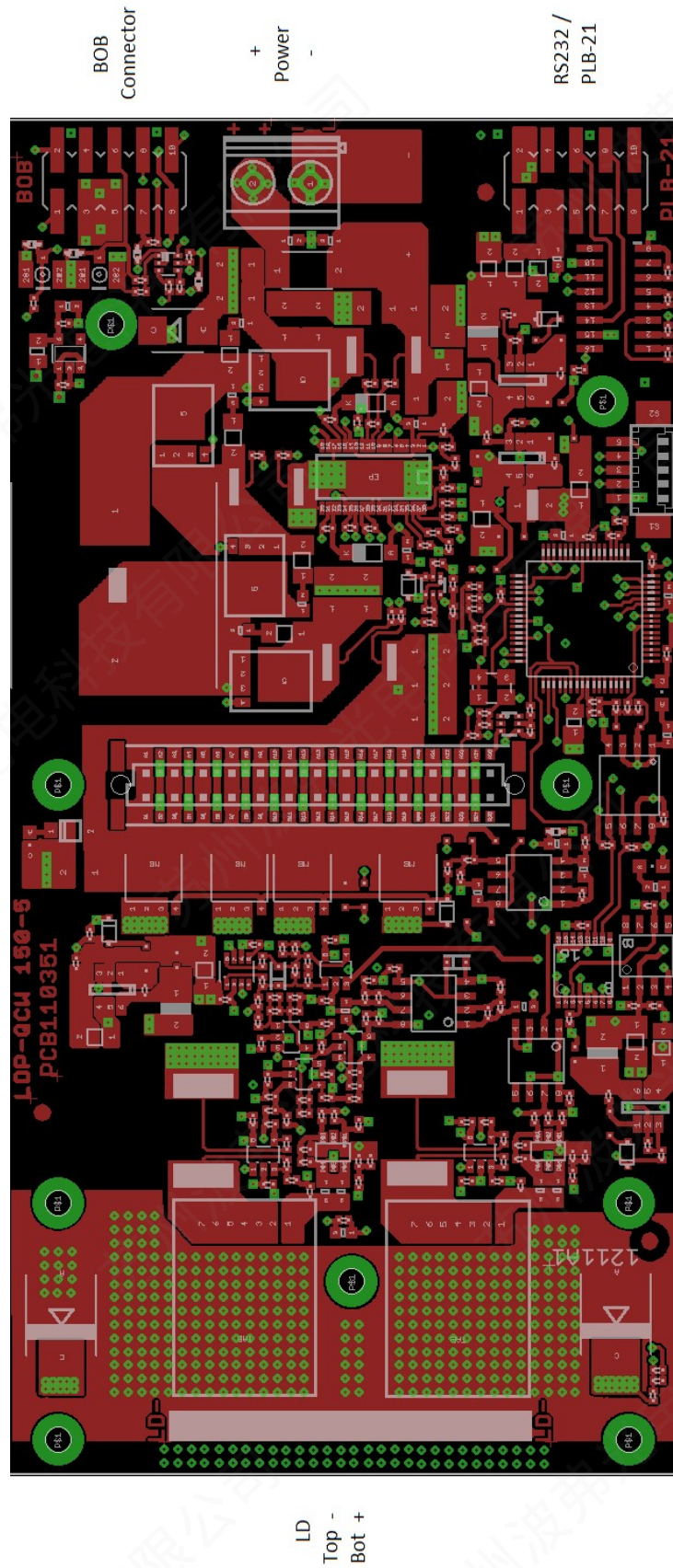
The influence of this part of the regulator can be user defined and is called FFwd.

However, the interconnection between the voltage and the current flow on the output is calibrated during fabrication. This is used in operating mode 1. So, it is not necessary to change this value if only these operating modes are used. If needed, it can be adjusted between the values 0 to 7.5 by the customer.

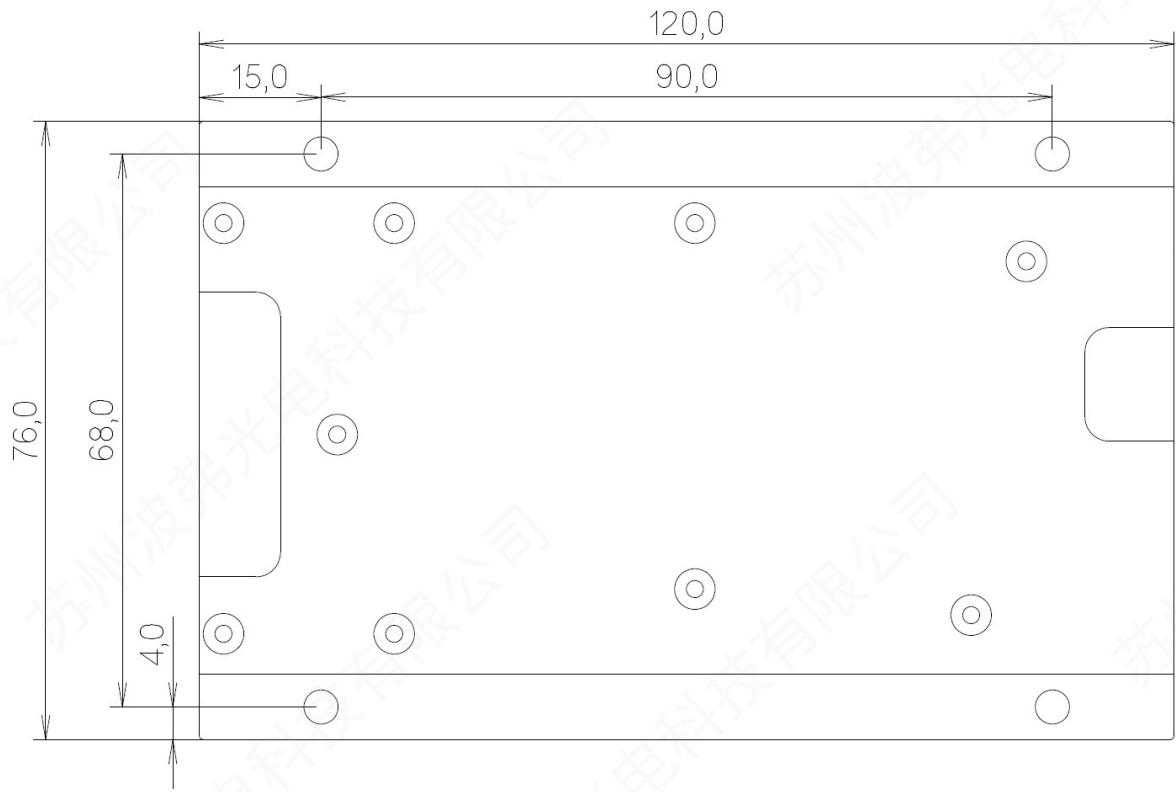


Be careful if changes are performed with the FFwd value. The effect is high and may cause damage to the connected load if not adjusted properly. Wrong settings are not covered by warranty.

Description of available Connectors



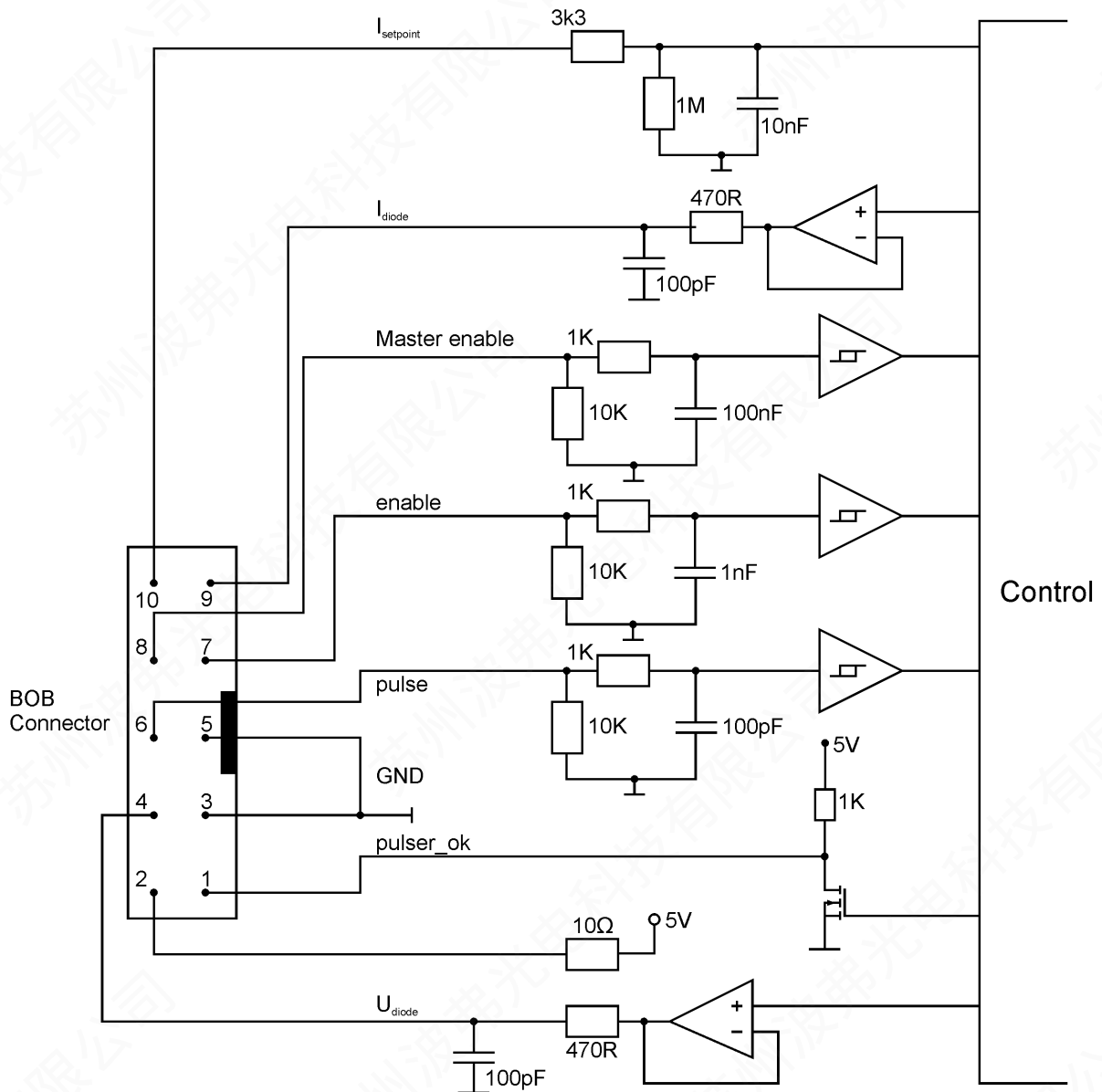
Mechanical Dimension



Analogue Interface Specifications

The following figure shows the input and output signals of the external analogue BOB connector.

The LDP-C BOB (Breakout board) is recommended for easy testing of the driver. It will be replaced in the application by your machine interface.



Functional Description of BOB Connector Interface

Pin Description (numerical assorted)

Pin 1: Pulser OK

The state of this signal indicates whether the driver is ready (5 V) or it has an error pending (0 V).

Pin 2: 5 V

This pin provides 5 Volts for external usage. Please note that the load should not exceed 10 mA, otherwise the voltage will drop.

Pin 3: GND

This pin is connected to ground.

Pin 4: U_{diode}

This signal provides near real time measurement of the laser diodes compliance voltage. The scaling is 10 Volts per Volt measured into 1 MOhm.

Pin 5: GND

This pin is connected to ground.

Pin 6: Pulse

This signal is used in the external end external controlled trigger mode. Connect your external trigger source to this pin. The signal amplitude should be within 3 to 6 Volts.

Pin 7: Enable

This signal is used to enable / disable the current output of the driver during operation. It must be pulled low to reset an error condition or to re-enable the driver after Master Enable was pulled low.

Pin 8: Master Enable

This signal is used as an interlock safety feature that disables the complete driver if set to 0 V during operation. In order to re-enable the driver after this emergency shutdown the enable signal must first set to 0 V.

If this feature is not required this pin can be connected to pin 2 (5 V).

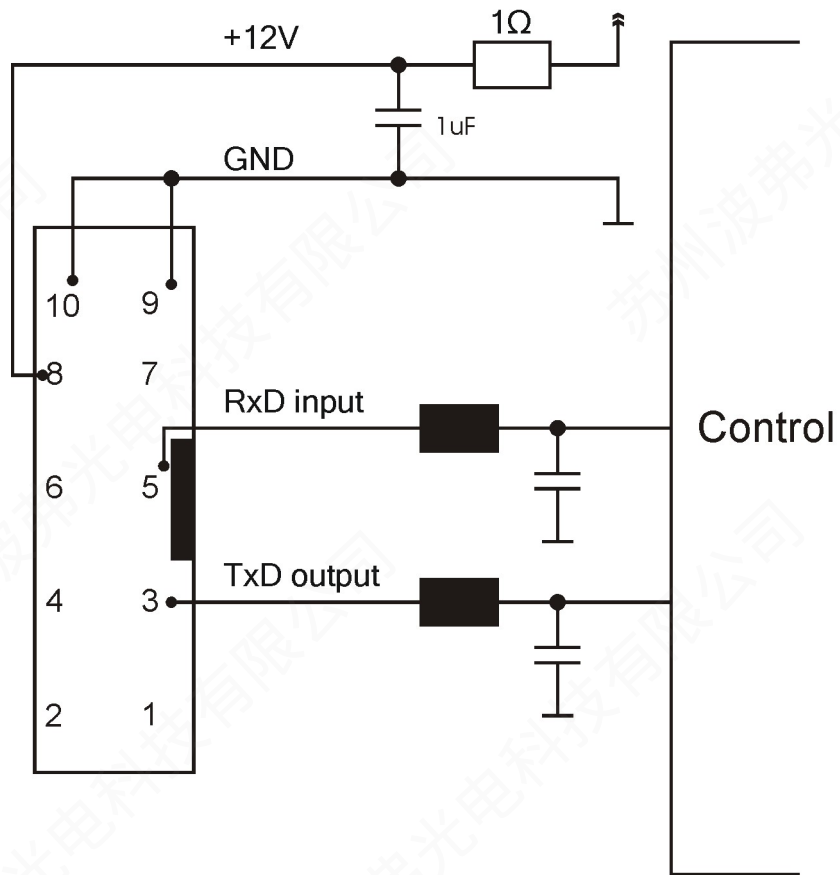
Pin 9: I_{diode}

This signal provides near real time measurement of the laser diodes current flow. The scaling is 200 Amperes per Volt measured into 1MOhm.


Pin 10: $I_{setpoint}$

This pin is not used in this driver.

The interface is a standard RS-232 interface connection. It can be used to connect the PC to the driver.



How to get started

Step	What to do	Check
1	Unpack your device and place it in front of you as shown on the next page.	
2	Connect a load (for example your laser diode) to the output.	
3	Connect the RS-232 cable / PLB-21	See section “Controlling the LDP-QCW via RS-232” for more information.
4	Connect the input power supply. Make sure that polarity is correct. The supply voltage is 24 V .. 48 V.	 Make sure that your power supply does not have any voltage overshoots when switching on or off. Do not exceed the maximum operating voltage of 52 V.
5	Switch the power supply on.	
6	Set all required parameters using the RS-232 interface. Make sure that the capacitor voltage is set to a safe value.	See section “Controlling the LDP-QCW via RS-232” for more information.
7	Apply +5 V to the interlock pin of the BOB connector. This will enable internal power conditioner.	See section “Interface Specifications” for more information.
8	Apply +5 V to the Enable pin of the BOB connector. This will enable the output.	See section “Interface Specifications” for more information.
9	Monitor the current pulses using an oscilloscope connected to the current monitor output.	See section “Interface Specifications” for more information.

Cooling

The maximum thermal dissipation of the LDP-QCW depends on the configured pulse length, repetition rate and capacitor bank voltage. The driver is cooled by a heat sink and two fans for continuous high-power operation. The maximal thermal dissipation can be estimated by:

$$P_L = ((V_{cap} - V_{LD}) \cdot I_{LD} \cdot d) + 0.1 \cdot I_{LD} \cdot d + P_s$$

where

P_L	Thermal dissipation loss in W
V_{cap}	Capacitor voltage in V
V_{LD}	Compliance voltage of the LD in V
d	Duty cycle in percent
I_{LD}	Laser diode current
P_s	Static operation losses ~ 7 W

This is only an approximation and achieved values can differ. Carefully monitor the temperature of the driver and the heat sink for new operational conditions.

Test Load

A common method to test the driver is to connect a regular silicon rectifier diode to the driver output. Please pay attention to the junction capacitance of the diode. Only fast recovery diodes (or similar) have a low parasitic capacitance comparable to laser diodes. To achieve reasonable test results, the parasitic elements of the test diode and the connection must be very similar to a laser diode approach. Regular silicon rectifier diodes have a junction capacitance of several microfarads and are not a suitable test load! The use of these diodes will yield in incorrect current measurement at the pulse edges!

It is also possible to test the driver using a shortcut. This will not damage it, but result in an incorrect measurement for the rise and fall time of the current pulse.

Digital Interface Specifications

The interface provides the following connections:

- RS-232 interface
- Interlock input
- Enable input
- Trigger input

The RS-232 interface gives access to all internal settings and registers. It uses a communication speed of 115200 baud with 8 data bits, 1 stop bit and even parity. In order to test the interface connection, the **PING** or **init** command may be used, depending on which protocol should be used. It does not change any settings of the driver.

The interlock input signal controls the internal power conditioner as well as the pulse output stage. It must be enabled before the enable signal. Otherwise, the driver enters an error condition and will not produce any output current. If the interlock drops during normal operation, the power conditioner as well as the current output is disabled and the capacitor bank is discharged. The enable signal must be disabled before the interlock can be re-enabled.



The storage discharge slowly. Be careful when powering off the driver as they may still hold a high voltage. Touching them might result to an electrical shock.

The enable input controls the current regulator and the internal trigger generator. When it is enabled, the driver will generate output pulses according to the configured settings.

The trigger input is used in the external trigger mode. When configured, it will control the output current generation.

The trigger output signal provides a signal with the same pulse width and repetition rate as the current output.

Power Supply

To obtain a good pulsing performance with the driver, it requires an appropriate power supply unit (PSU). The PSU has to supply not only the power that is delivered to the laser diode but also the power to compensate for the losses in the driver itself. The device is equipped with a buck-boost DC-DC converter which allows it to generate a capacitor voltage that is higher than the input voltage.

PC Interface

As described in the interface specifications the PC interface uses the RS-232 standard with the connection settings of 115200 baud, 8 data bits, 1 stop bit and even parity.

In order to initialise the PicoLAS protocol, the PING command is used. To initialise the text protocol, use the **init** command. The acknowledgement of this command indicates a successful communication.

PLB-21

To use the PLB-21 to control the driver, simply connect it using the cable supplied with the PLB-21. No further actions are required as the driver supplies all required signals (communication and power) to the PLB-21. The menu structure is described in chapter XXXX

Pulse current

The LDP-QCW is capable of generating a single rectangular shaped current pulse. The pulse current, pulse width and repetition rate can be configured via RS-232 / PLB-21 or via the BOB interface connector.



In the current hardware revision, the pulse current can only be set via digital interface.

Regulator Operation Modes

The driver's current regulator offers two different operation modes, which applies to both pulse shape modes.

Mode 0: manual

In this operation mode all parameters can be modified.



This mode is recommended only for experienced users as any wrong setting may lead to a significant current overshoot at the output.

Mode 1: semi-auto

In this operation mode the feed forward (FFwd) value is automatically chosen in dependence of the current setpoint. This is recommended for normal operation as it guarantees minimal current overshoot at the output.

Capacitor Voltage

The capacitor bank is charged by an internal DC-DC converter. It transforms the supply voltage into a configurable capacitor voltage.

The power conversion is controlled by the interlock input. Setting the interlock to “1” while the enable signal is “0” will start the capacitor loading procedure. If the enable signal is given before the interlock, the driver will enter an error condition and no power is transferred into the capacitors.

The capacitor voltage is controlled by the SETVCAP / **svcap** command. It must be set by the operator to a value that depends on the chosen pulse width, repetition rate and compliance voltage. If his value is too low the current will drop during the pulse or not even reach the setpoint, if it is too high the output stage will heat up fast and lead to an overtemperature shutdown.

The following equation can be used to calculate the capacitor voltage V_{cap} in dependence of the output current, compliance voltage and pulse width:

$$V_{cap} = 5 + U_{LD} + (I_{LD}(0.011 + \frac{T_{pulse}}{0.046}))$$

where

U_{LD}	Compliance voltage in V
I_{LD}	Current setpoint in A
T_{pulse}	Pulse width in s

This equation does not use the repetition rate. Hence, this value must be increased if a current drop is measured during operation.



If the capacitor voltage is way too high, the output stage can get damaged. It is safe to start with a lower than required voltage and raise it slowly during operation until the pulse shape is rectangular.



The storage capacitors provide a high amount of energy. Creating a short cut over the output clamps is not recommended and might result in an electrical spark and / or fire.



The capacitors are charged up to 34 V. Touching the clamps may result in an electrical shock and serious injury.

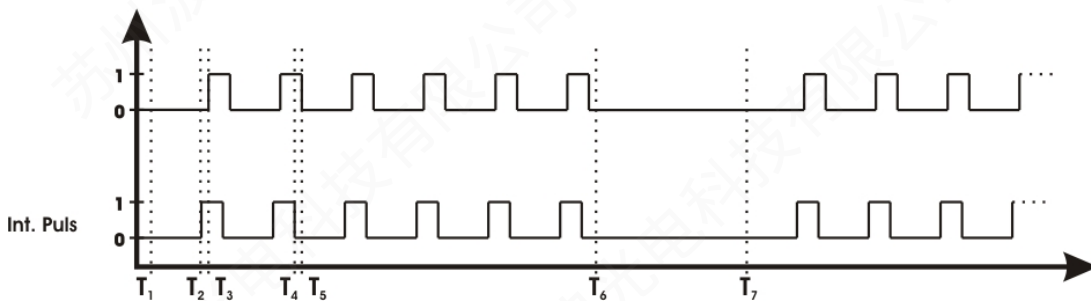
Trigger Modes

The LDP-QCW supports four different trigger modes as explained below. In order to change the trigger mode, the driver must be disabled (enable = 0) and the TRG_MODE and TRG_EDGE bits in the LSTAT register must be set accordingly.

Internal (trgmode = 0)

The pulse generation is performed by an internal pulse generator. The pulse width and repetition rate are user configurable via the serial interface. In addition, the number of pulses that will be generated when the driver is enabled can be set from a single pulse to a continuous pulse generation while the driver is enabled.

The following diagram shows an example of generated pulses. The lower graph shows the internal pulse generator, the upper two graphs the trigger pulses generated out of it.

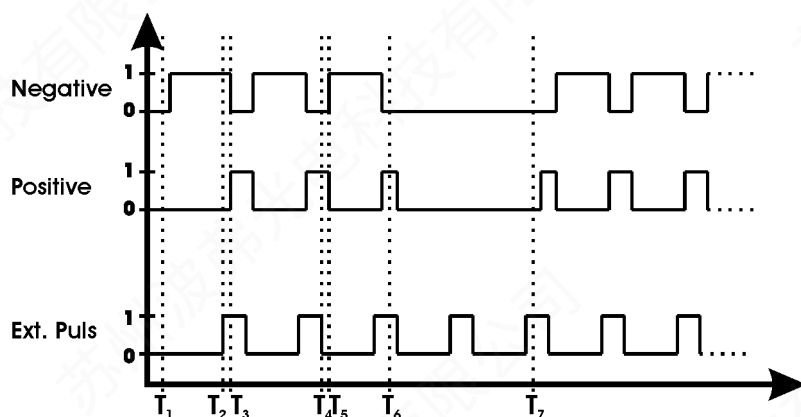


Symbol	Meaning
T ₁	Enabling of the output.
T ₁ -T ₂	Delay between output enable and the first generated pulse depends on the configured repetition rate. It nearly equals the pulse pause time.
T ₂ -T ₃	Pulse rise time. It depends on the load inductance.
T ₄ -T ₅	Pulse fall time. It depends on the load inductance.
T ₆	Disabling of the output.
T ₇	Re-enabling of the output.

External (trgmode = 1)

The pulse generation is performed by an external pulse generator connected to the pulse input on the BOB connector. The pulse width and repetition rate is defined by the trigger signal. The pulses can be inverted by setting the TRG_EDGE bit in the LSTAT register to “0” or “1”.

The following diagram shows an example of generated pulses. The lower graph shows the external pulse input, the upper two graphs the trigger pulses generated out of it.



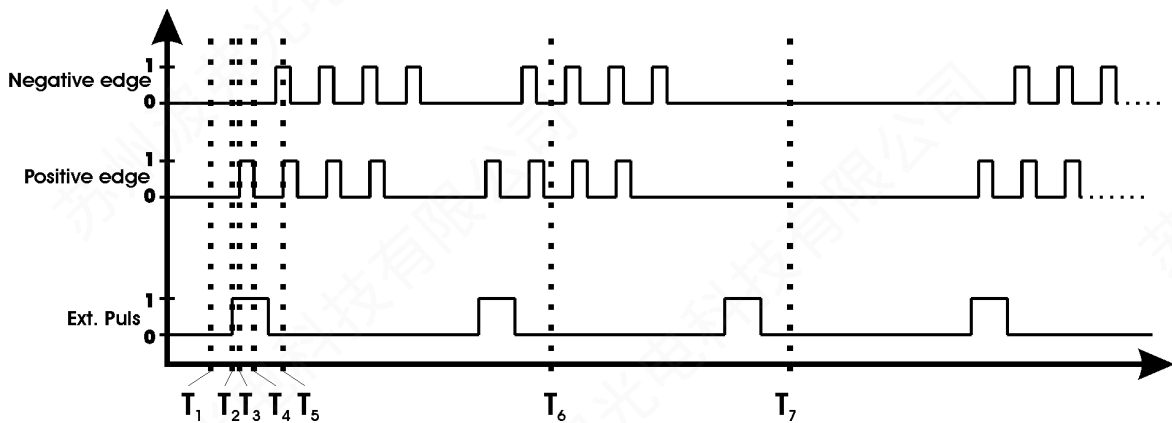
Symbol	Meaning
T ₁	Enabling of the output.
T ₂ -T ₃	Pulse rise time. It depends on the load inductance.
T ₄ -T ₅	Pulse fall time. It depends on the load inductance.
T ₆	Disabling of the output.
T ₇	Re-enabling of the output.

External controlled (trg mode = 2)

This trigger mode uses the external trigger input to control the internal pulse generator. It is used to generate a number of pulses per rising or falling edge of the external trigger input. The pulse width and repetition rate are defined by the internal pulse generator and can be set using the serial interface. Hence, only the edge of the trigger signal is utilized. Setting the TRG_EDGE bit in the LSTAT register to “1” uses the rising edge, setting it to “0” uses the falling edge.

The number of pulses and the repetition rate can be set via software.

The following diagram shows an example of generated pulses. The lower graph shows the external pulse input, the upper two graphs the trigger pulses generated out of it.



Symbol	Meaning
T ₁	Enabling of the output.
T ₂ -T ₃	Pulse rise time. It depends on the load inductance.
T ₄ -T ₅	Pulse fall time. It depends on the load inductance.
T ₆	Disabling of the output.
T ₇	Re-enabling of the output.

Software (trgmode = 3)

This trigger mode works exactly like the external controlled mode. The only difference is that the trigger is given using a software command.

Output Enable

The output stage of the driver is controlled by the interlock and the enable signal. Setting the enable to “1” while the interlock is given, the driver will start to produce output current pulses according to the selected trigger mode. The driver will produce output current as long as the trigger condition is matched and the enable and interlock signals are given. Setting the enable signal to “0” will disable the output.

Setting the interlock signal to “0” while the enable signal is given will disable the output stage, discharge the capacitor bank and put the driver into an error condition. This is reset by setting the enable signal to “0”.

Alternatively, the enable signal can be controlled via software. Set the ENABLE_EXT bit in the LSTAT register to “0” to switch to software control. If the text protocol is used, the commands are **enable_int**, **enable_ext**, **enable** and **disable**.

Output disable

The driver’s output is disabled by setting the enable signal to “0”. This will disable the internal pulse generator and therefore the current output.

If the internal enable control is used, use the **disable** command.

Exchange Dummy Load for Laser Diode

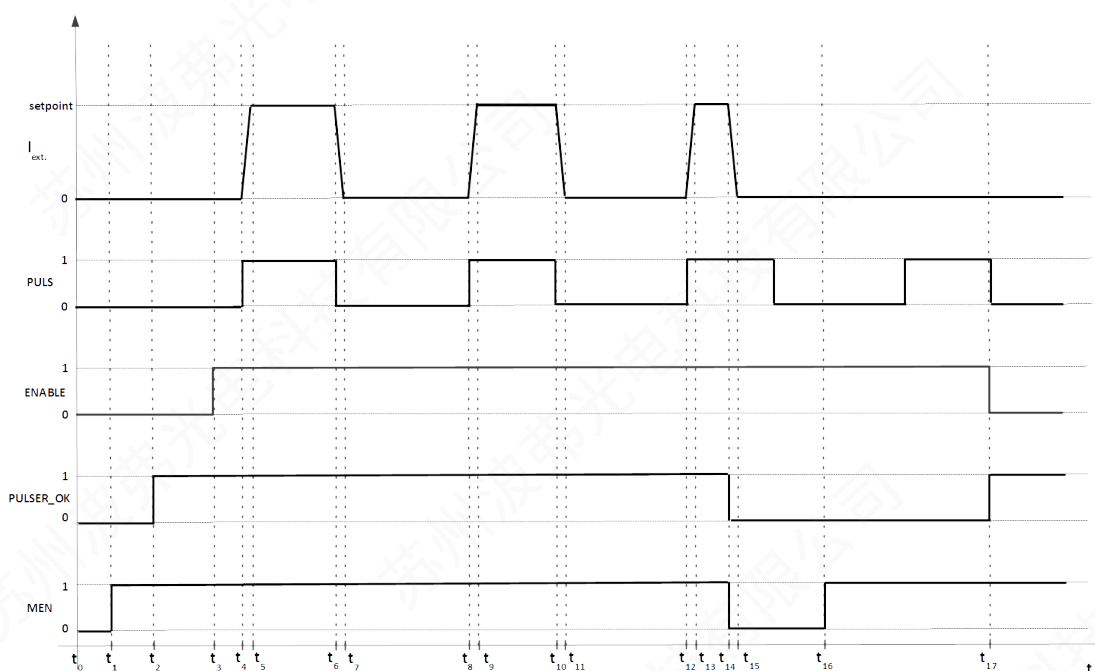
Before removing the dummy load, it is recommended to set the interlock signal to “0” as well. This will discharge the capacitor bank and put the driver into a safe condition.



After setting interlock to “0”, the capacitors require a certain amount of time to discharge. Before working on the capacitor or output clamps make sure that there is no residual voltage.

Timing Diagram

The following diagram shows the effect of the MEN (Master Enable), ENABLE and trigger input signals to the external current flow:



Symbol	Meaning	Min.	Max.	Avg.	Description
t ₁	MEN given				
t ₀ – t ₂	Power on self test	2.5 s	14 s	4 s	
t ₃	ENABLE given				
t ₄ – t ₅ t ₈ – t ₉ t ₁₂ – t ₁₃	Rise time	1 μs			Depends on the inductance of the connected load.
t ₆ – t ₇ t ₁₀ – t ₁₁ t ₁₄ – t ₁₅	Fall time				Depends on the inductance of the connected load.
t ₁₄	MEN released				Output current drops to zero, driver in error state.
t ₁₇	MEN state reset				Driver is operational again.

Dos and Don'ts

Never ground any output connector.

Never use any grounded probes at the output.

Do not connect your oscilloscope to the output!

This will immediately destroy the driver and the probe!

For measuring current and voltage you connect the scope to pin 9 or pin 4 of the BOB connector respectively.

Never create a short over the capacitor clamps while the capacitors contain energy!

Keep connecting cables between power supply and driver as well as the connection between driver and laser diode as short as possible.

Mount the driver on an appropriate heat sink!



Please be aware that there might be hot surfaces, be careful not to touch them!



Do never connect the oscilloscope to the output connectors!!!!
(Please note: above picture shows another but similar PicoLAS driver)

Overtemperature Shutdown

To protect the laser diode and the driver itself, the LDP-QCW automatically disables itself if its temperature rises above the maximum allowed operating temperature. This condition is latched and the LDP-QCW will not start working until temperature drops five degrees and the ENABLE signal is toggled.

If an Error Occurs

If an error occurs during operation the pulse output is switched off. All error conditions are latched and cleared by disabling the driver (either using the switch or the software control).

Mechanical Dimensions

The following dimensions are in millimetres (mm). Please note that the picture is horizontally compressed.

Controlling the LDP-QCW via RS-232

Introduction

The RS-232 interface allows communications over a serial text interface as well as using the PicoLAS protocol. While the text interface is designed for communication with a terminal program, the PicoLAS protocol is designed as a system interact protocol.

The switching between the two protocols occurs automatically as soon as the LDP-QCW receives a certain sequence. The corresponding commands are:

- **PING** for the PicoLAS protocol
- **“init”** followed by <Enter> for the text interface

The connection settings are:

Baud rate	115200
Data bits	8
Stop bits	1
Parity	even

The Serial Text Interface

The following section describes the structure and commands of the text interface.

Structure

Every command that is sent to the LDP-QCW must be completed with a CR (Enter). It consists of a command word followed by one or more parameters. If the command was successfully executed a “00” is sent, otherwise a “01”. If there is an error pending, the response will be “10”, otherwise “11”. If the command requires an answer parameter, this parameter is sent before the confirmation is given.

Example:

The user would like to read out the actual setpoint current:

```
User input:          gcur <Enter>
Output of the LDP-CW: 150.0<CR><LF>
                    00<CR><LF>
```

Example 2:

The user would like to set a new setpoint current:

```
User input:          scur 100.5<Enter>
Output of the LDP-CW: 100.5<CR><LF>
                    00<CR><LF>
```

Input is done in ASCII code and is case sensitive. Every terminal can be used that supports this standard.



Commands for the serial text interface

The following table contains a command reference for the LDP-QCW.

Command	Parameter	Description
ghwver	-	returns the hardware version number
gswver	-	returns the software version number
gserial	-	returns the serial number
gname	-	returns the device name
ps	-	prints out all settings
loaddef	-	load default values
savedef	-	save all settings as default values
enautodef	-	enables the automatic loading of default settings on power on
disautodef	-	disables the automatic loading of default settings on power on
gerrtxt	-	returns the error register in text form
gerr	-	returns the error register as a 32-bit number
clrerr	-	clears the error register
glstat	-	returns the laser status register
slstat	32-bit number	sets the laser status register to the given value
gtrgedge	-	returns “0” for negative edge or “1” for positive edge
strgedge	0 or 1	sets the trigger edge for external trigger “0” = negative, “1” = positive
gmode	-	returns the current regulator mode Mode 0: manual Mode 1: semi-automatic See section “Current Regulator” for more information
smode	0 ... 1	sets the current regulator mode to the given value Mode 0: manual Mode 1: semi-automatic See section “Current Regulator” for more information

Command	Parameter	Description
gcur	-	returns the actual setpoint current in [A].
gcurmin	-	returns the minimum setpoint current.
gcurmax	-	returns the maximum setpoint current.
scur	<current>	sets the internal setpoint current to the given value. This value must be within the minimum/maximum borders (see above). One position after decimal point is used (e.g. 80.5). The return value is the new setpoint.
gwidth	-	returns the actual pulse width in [us].
gwidthmin	-	returns the minimum possible pulse width in [us].
gwidthmax	-	returns the maximum possible pulse width in [us].
swidth	<width>	sets the pulse width for the pulse. Please note that any change in this register affects the maximum possible repetition rate. The return value is the new pulse width.
greprate	-	returns the actual repetition rate in [Hz]
grepratemin	-	returns the minimal possible repetition rate in [Hz]
grepratemax	-	returns the maximal possible repetition rate in [Hz]
sreprate	reprate in [Hz]	sets the pulse repetition rate to the given value. The return value is the new repetition rate.
gvcap	-	returns the actual pre charge voltage of the internal capacitor bank in [V]
gvcapmin	-	returns the minimum pre charge voltage of the internal capacitor bank in [V]
gvcapmax	-	returns the maximum pre charge voltage of the internal capacitor bank in [V]
svcap	voltage in [V]	sets the pre charge voltage of the internal capacitor bank to the given value in [V]
gffwd	-	returns the actual voltage of the feed forward part of the current regulator in [V]. See section “Current Regulator” for more information.
sffwd	<voltage>	sets the feed forward voltage to the given value. Two positions after decimal point are used (e.g. 3.45). It must be within the borders of gffwdmin / gffwdmax.
gffwdmin	-	returns the minimum possible value of the feed forward voltage in [V]
gffwdmax	-	returns the maximum possible value of the feed forward voltage in [V]

Command	Parameter	Description
gcount	-	returns the actual configured number of pulses to be generated
gcountmin	-	returns the minimum possible number of pulses to be generated
gcountmax	-	returns the maximum possible number of pulses to be generated
scount	number	sets the number of pulses to be generated
execpuls	-	generates a software trigger
strgmode	0 ... 3	sets the pulse generator trigger mode to the given value Mode 0: internal Mode 1: external Mode 3: external controlled Mode 4: software controlled See section “Trigger Modes” for more information
gtrgmode	-	returns the actual used trigger mode
strgedge	0 or 1	Sets the edge detection polarity to the given value. 0: positive 1: negative Please note that it is used only in trigger modes 1 and 2. See section “Trigger Modes” for more information.
gtrgedge	-	Returns the actual configured polarity
gtemp	-	returns the value of temp. sensor in [°C]
gtempphys	-	returns the temperature at which the device switches back on after an overtemperature shutdown in [°C]
gtempwarn	-	returns the temperature at which the TEMP_WARN bit in the ERROR register is set
gtempoff	-	returns the overtemperature shutdown value in [°C]
enable_ext	-	Sets the enable input control to external
enable_int	-	Sets the enable control input to internal
enable	-	Enables the driver. Only useable in internal control.
disable	-	Disable the driver. Only useable in internal control.
slstat	32-bit number	Sets the LSTAT register to the given value
glstat	-	Returns the contents of the LSTAT register in one 32-bit number

The PicoLAS protocol

The following section describes the structure and commands of the PicoLAS protocol.

PicoLAS Protocol Structure

The protocol uses a frame-based structure. Each frame consists of 7 bytes which must be sent consecutively. Otherwise, the protocol will time out and the transmission must start again. For each valid frame received, an answer is sent to the host after it has processed the command. If a second frame is sent before an answer has been received, it may be declared invalid and become discarded.

Each protocol frame consists of 7 bytes. The first two are interpreted as a 16-bit command word followed by a 32-bit data word and an 8-bit checksum. Each of the words are little endian encoded. This leads to the following structure:

Protocol frame							
Byte	0	1	2	3	4	5	6
Meaning	Command	Command	Data	Data	Data	Data	CRC
Bits	0 .. 7	8 .. 15	0 .. 7	8 .. 15	16 .. 23	24 .. 31	0 .. 7

The CRC byte is calculated by an XOR of the six other bytes of the frame. Any frame received with an invalid checksum is discarded without further notice.

Commands

The Driver has a wide range of control commands. In certain operation conditions one or more commands may not be available. In this case, the driver will answer with UNAVL (0xFF14) and the relating command as parameter.

If an unknown command is received, the driver will answer with UNCOM (0xFF13).

If it receives a valid command with an invalid data value, it will answer with ILGLPARAM (0xFF12).

The following commands are available:

General

These commands have various general functions.

Command Name	Command frame		Answer frame	
	Command	Data	Command	Data
PING	0xFE01	0	0xFF01	0
IDENT	0xFE02	0	0xFF02	Device ID
GETHARDVER	0xFE06	0	0xFF06	Hardware version
GETSOFTVERST	0xFE07	0	0xFF07	Software version control board
GETSERIAL	0xFE09	0	0xFF09	Device serial number
GETIDSTRING	0xFE08	0	0xFF08	Device description string

Temperature

These commands give access to the driver's temperature monitor functions.

Command Name	Command frame		Answer frame	
	Command	Data	Command	Data
GETTEMP	0x0101	0	0x8100	Int32 in 0.1 °C
GETTEMPOFF	0x0102	0	0x8100	Int32 in 0.1 °C
GETTEMPMAX	0x0103	0	0x8100	Int32 in 0.1 °C
GETTEMPHYS	0x0104	0	0x8100	Int32 in 0.1 °C

LSTAT Register

These commands give access to the driver's status and control register. Any write access using the SETLSTAT command is executed immediately. Some of the bits are read only or only writable under certain conditions. Please refer to the LSTAT register description later in this document for more information.

Command Name	Command frame		Answer frame	
	Command	Data	Command	Data
GETLSTAT	0x0200	0	0x8200	UInt32 register
SETLSTAT	0x0201	UInt32 register	0x8200	UInt32 register

ERROR Register

These commands give access to the driver's error registers. These are read only and will be cleared if the error condition is removed and the enable signal is toggled or the CLEARERROR command is received. Please refer to the ERROR register description later in this document for more information.

Command Name	Command frame		Answer frame	
	Command	Data	Command	Data
GETERROR_1	0x0300	0	0x8300	Uint32 register
CLEARERROR	0x0301	0	0x8300	0

Pulse generation

These commands give access to the driver's internal pulse generator. Depending on the used trigger mode or the channels are locked not all commands are available. In that case, the answer frame will contain the command 0xFF14 (UNAVL).

Command Name	Command frame		Answer frame	
	Command	Data	Command	Data
GETWIDTH	0x0400	0	0x8400	Uint32 in us
GETWIDTHMIN	0x0401	0	0x8400	Uint32 in us
GETWIDTHMAX	0x0402	0	0x8400	Uint32 in us
SETWIDTH	0x0403	Uint32 in us	0x8400	Uint32 in us
GETREPRATE	0x0404	0	0x8400	Uint32 in 0.1 Hz
GETREPRATEMIN	0x0405	0	0x8400	Uint32 in 0.1 Hz
GETREPRATEMAX	0x0406	0	0x8400	Uint32 in 0.1 Hz
SETREPRATE	0x0407	Uint32 in 0.01 Hz	0x8400	Uint32 in 0.1 Hz
GETCOUNT	0x0408	0	0x8400	Uint32
GETCOUNTMIN	0x0409	0	0x8400	Uint32
GETCOUNTMAX	0x040A	0	0x8400	Uint32
SETCOUNT	0x040B	Uint32	0x8400	Uint32
EXECPULS	0x040C	0	0x8400	0

Capacitor Voltage

These commands give access to the capacitor bank pre charger.

Command Name	Command frame		Answer frame	
	Command	Data	Command	Data
GETVCAP	0x0500	0	0x8500	Uint32 in 0.1 V
GETVCAPMIN	0x0501	0	0x8500	Uint32 in 0.1 V
GETVCAPMAX	0x0502	0	0x8500	Uint32 in 0.1 V
SETVCAP	0x0503	Uint32 in 0.1 V	0x8500	Uint32 in 0.1 V

Current control

These commands give access to the current regulator.

Command Name	Command frame		Answer frame	
	Command	Data	Command	Data
GETCUR	0x0600	0	0x8600	Uint32 in A
GETCURMIN	0x0601	0	0x8600	Uint32 in A
GETCURMAX	0x0602	0	0x8600	Uint32 in A
SETCUR	0x0603	Uint32 in A	0x8600	Uint32 in A

Analogue digital converter

These commands give access to the analogue to digital converter and its internal and pulse measurements.

Command Name	Command frame		Answer frame	
	Command	Data	Command	Data
GETADCUDIODE	0x00C0	0	0x01C0	Uint32 in V
GETADCIDIODE	0x00C1	0	0x01C0	Uint32 in A
GETADCVCAP	0x00C2	0	0x01C0	Uint32 in 0.1 V
GETADCUIN	0x00C5	0	0x01C0	Uint32 in 0.1 V

Default values

These commands give access to the driver's default value set. Each operating parameter can be saved to this default set and recalled later.

Command Name	Command frame		Answer frame	
	Command	Data	Command	Data
LOADDEFAULTS	0x0800	0	0x0800	0
SAVEDEFAULTS	0x0801	0	0x0800	0

Feed Forward (FFwd)

These commands give access to the current regulators feed forward part. These commands are only used, if the current regulator is set to mode 0 and should be used with caution. If the regulator is in any other mode, the answer frame will contain the command 0xFF14 indicating that the command is unavailable.

Command Name	Command frame		Answer frame	
	Command	Data	Command	Data
GETFFWD	0x1000	0	0x9000	Uint32 in 0.01 V
SETFFWD	0x1001	Uint32 in 0.01 V	0x9000	Uint32 in 0.01 V
GETFFWDMIN	0x1002	0	0x9000	Uint32 in 0.01 V
GETFFWDMAX	0x1003	0	0x9000	Uint32 in 0.01 V

Description of the LSTAT Register

The following list contains a description of the individual LSTAT bits. These can be read with the GETLSTAT and written with SETLSTAT command.

Bit	Name	Read/Write	Meaning
0	ENABLE_OK	ro / r/w	Indicates the state of the ENABLE signal. When ENABLE_EXT is “0”, this bit is used to control the driver’s output
1	PULSER_OK	ro	When the bit is read “0” an error has occurred
2	DEF_PWRON	r/w	When “1” the device loads its default values on power on.
3	TRG_EDGE	r/w	When “1” the positive edge is used.
4	reserved	ro	
5	ENABLE_LOCK	ro	Indicates, that the Enable pin must be set to “0” in order to continue normal operation.
6-7	TRG_MODE	r/w	Trigger mode: 0: internal 1: external 2: external controlled 3: software controlled
8	MASTER_ENABLE	ro	Indicates the state of the interlock pin.
9	ENABLED	ro	Indicates weather the driver’s output is enabled of not
10	ENABLE_EXT	r/w	When “1” the external enable input is used to control the driver
11	CUR_EXT	r/w	When “1” the external analogue current input pin is used to control the current setpoint. Please note: Not used in the current hardware revision.
12-13	REGLER_MODE	r/w	Current regulator mode: 0: manual 1: semi-auto 2: manual + VCAP autotracking 3: semi-auto + VCAP autotracking

Bit	Name	Read/Write	Meaning
14	EXEC_SW_PULSE	r/w	When “1”, the driver will execute a pulse (in trigger mode 3).
15	EXECUTING_PULSES	ro	Indicates that the driver is currently executing a software trigger.
16	ABORT_EXEC_PULSES	r/w	When “1”, the driver will abort the current software trigger.
17	DIS_INTEGRAL	ro	Controls the integral part of the current regulator: 0: Enabled (default) 1: Disabled
18-31	reserved	ro	reserved

Description of the ERROR Registers

The device has two 32-bit wide error registers. The following lists contain a description of the individual bits of each register. Unless otherwise noted, a “1” indicates an error or warning condition.

Bit	Name	Read/Write	Meaning
0	CRC_DEVDRV_FAIL	ro	A CRC error was detected in the internal PLB-21 driver. Please contact your distributor.
1	CRC_DEFAULT_FAIL	ro	A CRC error was detected in the default values. A re-save of the values should correct this.
2	CRC_CONFIG_FAIL	ro	A CRC error was detected in the internal configuration values. Please contact your distributor.
3	reserved	ro	reserved
4	CRC_FFWDAL_FAIL	ro	Indicates that the feed forward calibration of channel 1 is faulty.
5	CRC_ISOLCAL_FAIL	ro	Indicates that the current setpoint calibration of channel 0 is faulty.
6	TEMP_OVERSTEPPED	ro	The internal temperature was beyond safe operating limits.
7	TEMP_WARNING	ro	The internal temperature is 5 °C before shutdown.
8	TEMP_HYSTERESE	ro	Device is cooling down. Temperature needs to drop below (maximum – 10 °C)
9	VCC_FAIL	ro	Internal supply voltage error.
10	FAIL_DEFAULTS	ro	The loading of the default failed. Normally this is because of a pending CRC error.
11	I2C_EEPROM_FAIL	ro	Internal EEPROM error. Please contact your distributor.
12	I2C_DAC_FAIL	ro	Internal DAC error.
13	I2C_RD_FAIL	ro	Indicates an I ² C read error.
14	I2C_WR_FAIL	ro	Indicates an I ² C write error.
15	ENABLE_POWERON	ro	Indicates that the ENABLE signal was given during start-up.
16	TEMP_SENSOR_FAIL	ro	A “1” indicates an error.
17-31	reserved	ro	Reserved

Impressum

PicoLAS GmbH
Burgstrasse 2
52146 Würselen
Germany

CEO: Dr.-Ing. Markus Bartram

Registration Court: Amtsgericht Aachen
Registration Number: HRB 13040
Tax ID (Ust.IdNr.): DE 243221335
WEEE-Reg.-Nr.: DE 28806084

No liability will be accepted for errors and omissions. Technical modifications reserved.